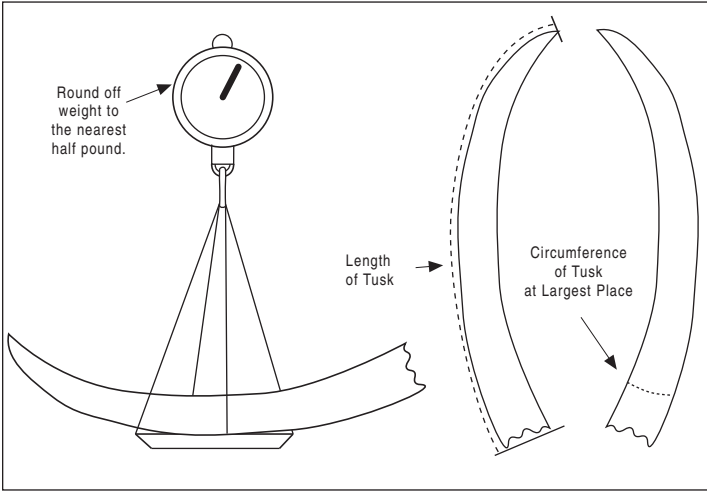


Method 14 Entry Form

For elephant tusks



Hunter _____
How you want your name to appear in the Record Book

Membership No. _____ e-mail _____

Address _____

_____ City _____ State _____ Zip _____ Country _____

Ph. (____) _____ Home (____) _____ Business (____) _____ Fax _____

I certify that, to the best of my knowledge, I took this animal without violating the wildlife laws or ethical hunting practices of the country or province in which I hunted. I also certify that, to the best of my knowledge, the laws of my country have not been violated by my taking or importing this animal.

Free-ranging Yes No

Signature _____

The acceptance or denial of all entries are at the discretion of Safari Club International, its Board and committees. Entries are subject to review by the Trophy Records Committee of SCI at any time. All photos and entries submitted to SCI become SCI's property.

**Submit to: Safari Club International
4800 W. Gates Pass Rd., Tucson, AZ 85745 USA.**

- \$35 Record Book processing fee
- \$55 Medallion Award processing fee (Walnut plaque) includes shipping & handling
- \$80 Record Book & Medallion Award processing fee includes shipping & handling

To enter Record Book and/or Medallion:

- 1) Add the appropriate entry processing fees together as necessary. (Medallion fee includes shipping & handling.)
 - 2) All entries must be complete, signed by hunter and accompanied by fees and a photograph of the trophy.
 - 3) Please clearly label back of photo with name of hunter, name and score of animal, and date taken.
- Include 1 photo

Checks on U.S. banks only. Credit cards preferred. Entry fees are valid for 12 months from date of form located in lower right hand corner.

We Accept: MC Visa AMX Discover Diners Club

Card Number _____

Expiration Date _____

Animal _____

Remeasurement? Yes No Former Score _____ Record No. _____

Date Taken _____
Month _____ Day _____ Year _____

Rifle Handgun Muzzleloader Bow Crossbow Picked Up

Place Taken _____
Country _____ State or Province _____

Locality _____

Guide _____ Hunting Co. _____

I. Weight of Tusk L _____ /2 lb. R _____ /2 lb.

II. Total Score _____ /2 lb.

Supplemental Information

Length of Tusk

L _____ inches R _____ inches

Circumference of Tusk at Largest Place

L _____ inches R _____ inches

Official Measurer _____

Measurer No. _____ Email _____

Day Measured _____
Month _____ Day _____ Year _____

Signature of Measurer _____

For Office Use Only

Date Received: _____